

raf

QA76.9.D26 .M98 2009.



0000065901

Office intelligent system (OIS) / Mohammad Zulfaqar  
Ishak.

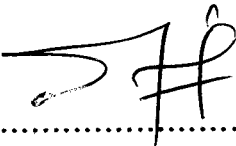
**OFFICE INTELLIGENT SYSTEM (OIS)**

**Mohammad Zulfaqar Bin Ishak**

**BEKC**

**2009**

**“I hereby declared that I have read through this report entitle “Office Intelligent System (OIS)” and found that it has comply the partial fulfillment for awarding the degree of Bachelor of Electrical Engineering (Control, Instrument and Automation)**

Signature : ..... 

Supervisor's name : ..... AHMAD ZUBIR BIN JAMIL

Date : ..... 08-05-2009 ..... AHMAD ZUBIR BIN JAMIL  
JURUTERA PENGAJAR  
Fakulti Kejuruteraan Elektrik  
Universiti Teknikal Malaysia Melaka

**OFFICE INTELLIGENT SYSTEM (OIS)**

**MOHAMMAD ZULFAQAR BIN ISHAK**


**A Report Submitted In Partial Fulfillment of Requirements for the Degree of Bachelor  
in Electrical Engineering (Control, Instrument and Automation)**

**Faculty of Electrical Engineering  
UNIVERSITI TEKNIKAL MALAYSIA MELAKA**

**2008/2009**

**“I declare that this report entitle “Office Intelligent System (OIS)” is the result of my own research except as cited in the references. The report has not been accepted for any degree and is not concurrently submitted in candidature of any other degree.**

**Signature**

:  .....

**Name**

: MOHAMMAD ZULFAQAR BIN ISHAK

**Date**

: 8 MAY 2009

**Specially dedicated to  
My beloved parents, sisters, brothers and friends  
Thank you for the endless support and encouragement**

## **ACKNOWLEDGEMENT**

In the name of Allah, The Beneficent, The Merciful. Firstly and foremost, I would like to heartfelt thanks to mu supervisor, En Ahmad Zubir Bin Jamil for his endless support, invaluable guidance and critical comments throughout the project.

Next, my heartiest thanks to my wonderful family especially my parents Ishak Bin Abdul Rahim and Rogayah Binti Mohd Tafri who always pray for my success continuously, giving me all the guidance and supports that I needs all the time, you are source of inspire of my life

Not forgotten, all my friends especially from Electrical Engineering Course which is always give me their assistance and guidance to finish up this entire project.

Once again, thank you all very much from the bottom of my heart. Without you, I could never have done it successfully.

## **ABSTRACT**

This project is to design and develop smart/intelligent office that has facilities such as lighting, computerized fire alarm monitoring system, Air-conditioner, Security System (CCTV), door access (digital code access) and other typical facilities. All these facilities will be controlled either by software setting or manually controlled in case there are system malfunction in auto mode. Signals from all these facilities will be fed into appropriate controller and then will be sent to central PC for data processing using parallel port cable. Visual Basic Software will be used to construct Graphical User Interface and program time setting of each facility.

## ABSTRAK

Projek ini dicipta dan dihasilkan adalah untuk mengeksplotasikan sistem pejabat yang mempunyai ciri-ciri pintar yang mengandungi kemudahan seperti lampu, penghawa dingin, sistem pemantauan penggera kebakaran, sistem keselamatan (penggera dan sistem kamera litar tertutup), teknologi pintu berkod dan kemudahan-kemudahan yang lain. Semua kemudahan ini akan dikawal oleh perisian yang telah diset operasinya atau kawalan secara sendiri (manual) sekiranya sistem tidak operasi dalam keadaan automatik. Isyarat dari semua kemudahan akan dibaca oleh pengawal yang sesuai (Input/output Module Interface Circuit) dan kemudiannya akan menghantar isyarat tersebut ke PC utama untuk proses data menggunakan kabel pelabuhan selari. Perisian Visual Basic akan digunakan untuk menghasilkan pengantaramuka pengguna dalam bentuk grafik dan program set masa ON/OFF bagi setiap kemudahan.



## TABLE OF CONTENTS

<b>CHAPTER</b>	<b>CONTENT</b>	<b>PAGE</b>
	<b>ACKNOWLEDGEMENT</b>	<b>v</b>
	<b>ABSTRACT</b>	<b>vi</b>
	<b>ABSTRAK</b>	<b>vii</b>
	<b>TABLE OF CONTENTS</b>	<b>viii</b>
	<b>LIST OF TABLES</b>	<b>xi</b>
	<b>LIST OF FIGURES</b>	<b>xii</b>
	<b>LIST OF APPENDICES</b>	<b>xv</b>
<b>1</b>	<b>PROJECT BACKGROUND</b>	<b>1</b>
	1.1 Introduction	1
	1.2 Objective of Project	1
	1.3 Scope of project	2
	1.4 Problem Statement	2
	1.4.1 Waste in energy consumption especially electricity	2
	1.4.2 Thief, fire could not properly be monitored .	3
	1.4.3 Hardwire not really secure	3
<b>2</b>	<b>LITERATURE REVIEW</b>	<b>2</b>
	2.1 Introduction	2
	2.2 Interfacing System	5
	2.2.1 IC ULN 2803 Pinout & Working	6

2.2.2	Parallel Port	9
2.2.2.1	Communicating with the Parallel Port	9
2.3	Graphical User Interface (GUI)	12
2.4	Visual Basic 6.0 (VB)	12
2.4.1	The Visual Basic Environment	13
2.4.2	The Control Properties	15
2.4.3	Handling some of the common controls	17
2.5	TVicLPT Overview	21
<b>3</b>	<b>PROJECT METHODOLOGY</b>	<b>22</b>
3.1	Methodology	22
3.2	Literature Review	23
3.3	Construct Modeling Office	24
3.4	Software Development Using Visual Basic (VB)	29
3.4.1	Login Page	31
3.4.1.1	Login Form	31
3.4.1.2	Splash Screen Form	33
3.4.2	Main Page	35
3.4.2.1	Monitoring and Control System	35
3.4.2.2	Database System	39
3.4.2.3	CCTV System	43
3.4.2.3.1	ActiveX Control	43
3.4.2.3.2	Video Settings	45
3.4.2.3.3	Playback video	47
3.4.2.3.4	Picture Viewer	49
3.5	Wiring Of Hardware	50
3.5.1	Power Supply Unit (PSU)	51
3.5.2	Digital Code Lock (Code Access)	53
3.5.3	Interfacing Circuit	55
3.5.4	Hardware Wiring	57

<b>4</b>	<b>RESULTS AND DISCUSSION</b>	<b>60</b>
4.1	Graphical User Interface (GUI)	60
4.1.1	GUI Main page	61
4.1.1.1	Module Coding for Main Page	63
4.1.2	Database System	64
4.1.3	CCTV System	66
4.2	Hardware Development	67
4.3	Testing Hardware and Software	69
4.3.1	Interface Testing Between Hardware and Software	69
4.3.2	Testing Input Address	70
4.4	Discussion	75
4.4.1	Analysis the output coding	75
<b>5</b>	<b>CONCLUSION AND RECOMMENDATION</b>	<b>78</b>
5.1	CONCLUSION	78
5.2	RECOMMENDATION	78
	<b>REFERENCES</b>	<b>79</b>
	<b>APPENDICES</b>	<b>80</b>

**LIST OF TABLES**

<b>NO.</b>	<b>TITLE</b>	<b>PAGE</b>
2.1	Parallel Port 25 pins	11
3.1	Power Supply Component	51
3.2	Digital Code Lock Components	53
3.3	Interface Components	55
4.1	List of reading status port	74
4.2	List of binary value	75

## LIST OF FIGURE

<b>NO.</b>	<b>TITLE</b>	<b>PAGE</b>
2.1	Block Diagram OIS	4
2.2	A complete block diagram of OIS and its monitoring and control system.	5
2.3	Input/Output Module Interface Circuit	5
2.4	IC ULN 2803 Pinout	6
2.5	Pin connections	7
2.6	NPN Darlington	7
2.7	Darlington pair	8
2.8	Graph Power (Watt) vs Temperature (°C)	9
2.9	Parallel Port (25 pins)	10
2.10	Graphical User Interface System	12
2.11	The Visual Basic Start-up Dialog Box	13
2.12	The Visual Basic Environment	12
2.13	Typical properties window	16
2.14	General components	18
3.1	Project Flowchart	23
3.2	First Floor	25
3.3	Second Floor	26
3.4	Side view	27
3.5	Top view	27
3.6	Receptionist	28
3.7	Front view	28
3.8	Flowchart of Visual Basic Development	30

3.9	Login Form	31
3.10	Login successful	32
3.11	Error login	32
3.12	Splash screen form	33
3.13	Loading Form	34
3.14	Three main parts (System, Database and CCTV)	35
3.15	First Floor	36
3.16	Second Floor	36
3.17	Part of system	37
3.18	Database System OIS2009	39
3.19	Microsoft ADO Data Control 6.0 (OLEDB)	40
3.20	OIS Table	40
3.21	Properties Adodc1	40
3.22	Property Pages	41
3.23	Data Link Properties	41
3.24	ezVidCap Component and the video	43
3.25	Dialog box to record video	44
3.26	Save as video	44
3.27	Save as picture	44
3.28	Video Compression	45
3.29	Video Source (Device Setting)	46
3.30	Video Source (Capture Source)	46
3.31	Playback Video	47
3.32	ezVid File Dialog	47
3.33	Picture Viewer	49
3.34	Open Picture	49
3.35	Power Supply Unit	51
3.36	Power Supply Circuit	52
3.37	Code Access	53
3.38	Digital Code Access Circuit	54
3.39	Parallel Port and Cable	55

3.40	Parallel Port (Male)	55
3.41	Interfacing Circuit	56
3.42	ON/OFF switch	57
3.43	Fan (Air-conditioner)	57
3.44	Lamp	57
3.45	Hardware (office model)	58
3.46	Hardware Circuit	59
4.1	Login System	60
4.2	Login successful	61
4.3	Splash screen form	61
4.4	Main page (first floor)	62
4.5	Main page (second floor)	62
4.6	Database System OIS2009	64
4.7	Office Intelligent System Database	65
4.8	CCTV System	66
4.9	Hardware	67
4.10	Power supply and switch box	67
4.11	Digital code access	68
4.12	Hardware testing	69
4.13	Interface testing	69
4.14	New project name	70
4.15	Drag Button 1	70
4.16	Drag Button 2	71
4.17	Port Testing	72
4.18	Popup window	72
4.19	Not connected	73
4.20	Ground connected with S7	73
4.21	Ground connected with S5	73
4.22	TVicLPT ActiveX Control Module	76

**LIST OF APPENDICES**

<b>APPENDIX</b>	<b>TITLE</b>	<b>PAGE</b>
A	Monitor and Control System Coding	80
B	Database System Coding	86
C	CCTV System Coding	88
D	Input Coding	92



# **CHAPTER 1**

## **PROJECT BACKGROUND**

### **1.1 Introduction**

Basically an office intelligent system is the incorporation of information technology and communication system to make office more secure, easy to live, productive and cost effective. Various products of office intelligent system has emerged over the past years. Most of the product centers around using the facilities provided by the internet, mobile phones, telephones and various mean of communication to control some application in the office remotely, such as lighting television etc. Also most office intelligent system are also equipped with surveillance cameras for office owners to check their office visually using web browser. There are many more areas which need to be improved to make it safer, easier to live in, energy saving etc.

### **1.2 Objective of Project**

The objectives of this project are:

- i. To design and develop smart/intelligent system that consists of features:
  - Time Controlled ; Lighting and Air-conditioner
  - Security System; Door access, CCTV and Alarm for fire-detector.
  - GUI ; Monitoring and Control
  - Input/output Module Interface Circuit (Parallel Port);  
Communication between software (PC) and hardware
- ii. To make user friendly system, low cost and easy to maintain.

### **1.3 Scope of project**

The scope of this project covers two main parts, hardware and software. For the hardware, it includes design and constructs model office hardware and indentifies facilities such as lighting, computerized fire alarm monitoring system, Air-conditioner, Security System (CCTV and door access using code access), Alarm for fire-detector and other typical facilities. All these facilities can be controlled either manually or by software control.

On the software sides, the type of controller will be indentified. Here, Graphical User Interface (GUI) developing using Visual Basic (VB). Programming Visual Basic also use to program time setting of each facility. Interfacing between both hardware and software are using Input/output Module Interface Circuit.

### **1.4 Problem Statement**

#### **1.4.1 Waste in energy consumption especially electricity**

The energy consumption of electricity in office is greater and highest than at home. It because not have always supervise like at home, where at home had parents to supervise electricity consumption. At office, waste in electricity consumption always happen because time usage the electricity not have person to guard. Attitude of staffs in the office that no care about economically electricity consumption is one factor of this problem none stop. Careless to switch off all the electrical facilities like lamp, air-conditioner, and others also is the factor of this problem. So, this project (OIS) will be solving the problem. This system can switch on all the facilities office in time of work and switch off the facilities when finish time of work automatically every day. The on/off system is automatically using time-setting/time-controlled by Visual Basic 6.0 software.

#### **1.4.2 Thief, fire could not properly be monitored**

Now, thief and fire problem can always happen at everywhere especially at office. This problem happens because they do not have control centre to properly monitor overall office every time. So, this OIS system will use CCTV to monitor overall area of office meanwhile fire alarm detector used to detect the fire/smoke and give alarm signal. For the security system, door access will be used to avoid robbery happened.

#### **1.4.3 Hardwire not really secure.**

Hardwire problem always happen in office had control system where all cable is connect directly from facilities to central PC for control process. This problem not really secure because maybe it can make the short circuit if hardwire not be arranged properly. So, this OIS system using Parallel Cable Communication to avoid hardwire problem and it can decreases the probability of short circuit to occur.

## CHAPTER 2

### LITERATURE REVIEW

#### 2.1 Introduction

Figure below shows a block diagram Office Intelligent System (OIS). This block consists of 4 parts:

- i. Hardware consists of facilities such as:
  - Lighting
  - Computerized fire alarm monitoring system
  - Air-conditioner
  - Security System (alarm and CCTV), door access (code access)
- ii. Interfacing System (Input/output Module Interface Circuit)
- iii. GUI System and time setting (Visual Basic)

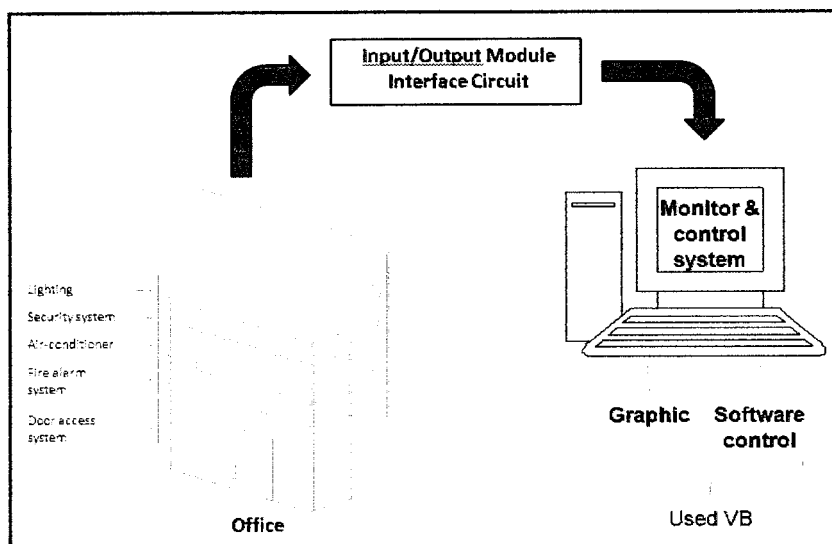


Figure 2.1: Block Diagram OIS

## 2.2 Interfacing System

- Use Input/output Module Interface Circuit.
- Parallel port 25 pin.
- Its function to interface between hardware and software.

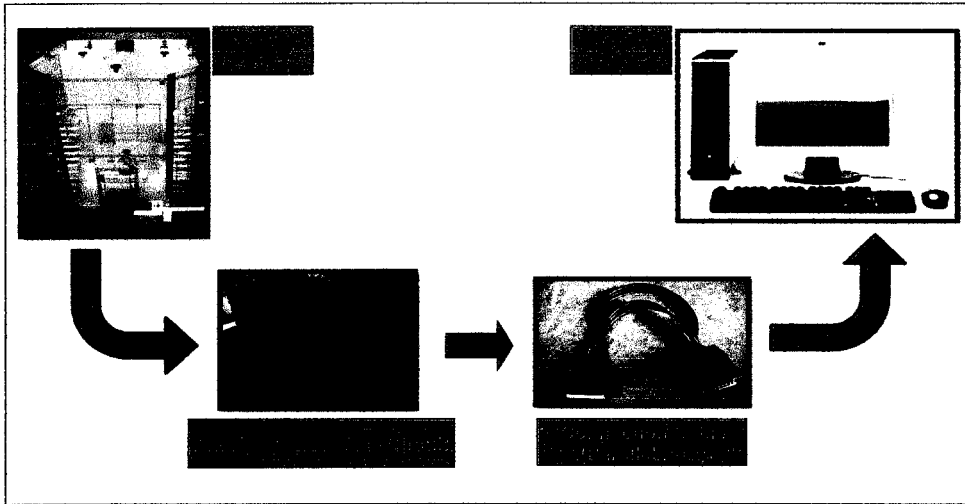


Figure 2.2: A complete block diagram of OIS and its monitoring and control system.

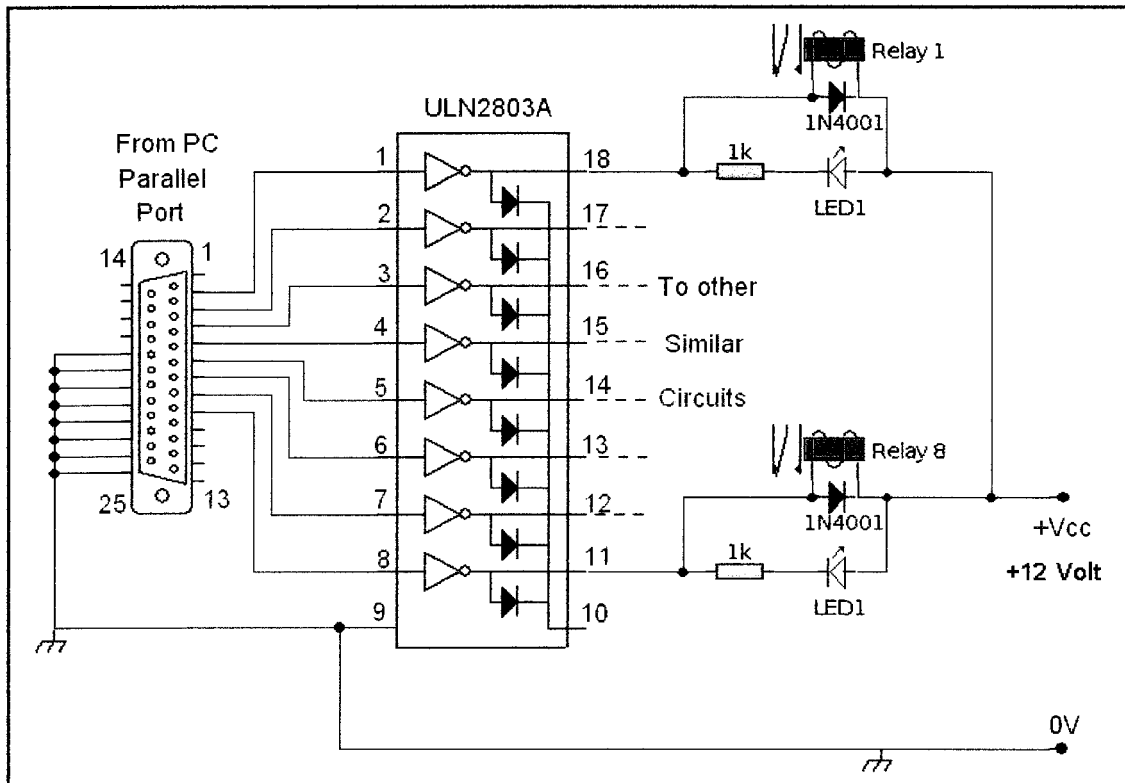


Figure 2.3: Input/Output Module Interface Circuit

### 2.2.1 IC ULN 2803 Pinout & Working

IC ULN2803 consists of octal high voltage, high current Darlington transistor arrays. The eight NPN Darlington connected transistors in this family of arrays are ideally suited for interfacing between low logic level digital circuitry (such as TTL, CMOS or PMOS/NMOS) and the higher current/voltage requirements of lamps, relays, printer hammers or other similar loads for a broad range of computer, industrial, and consumer applications.

#### Features:

- Eight Darlingtons with Common Emitter
- Open-collector outputs
- Freewheeling clamp diodes for transient suppression
- Output Current to 500 mA
- Output Voltage to 50 V
- Inputs pinned opposite outputs to simplify board layout

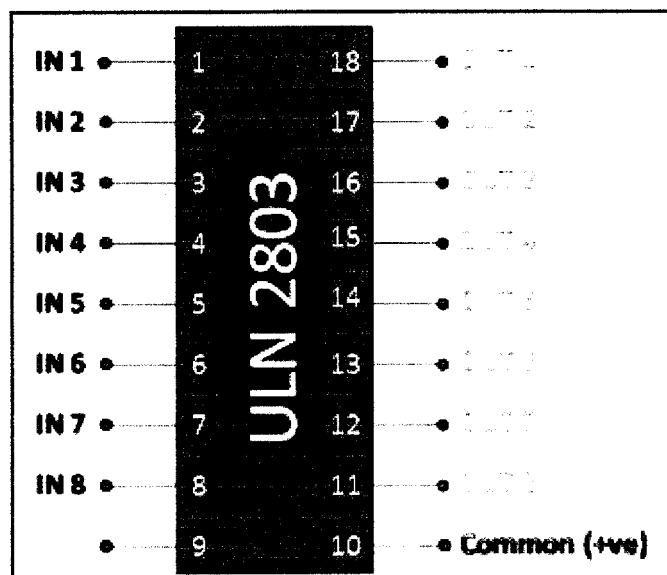


Figure 2.4: IC ULN 2803 Pinout

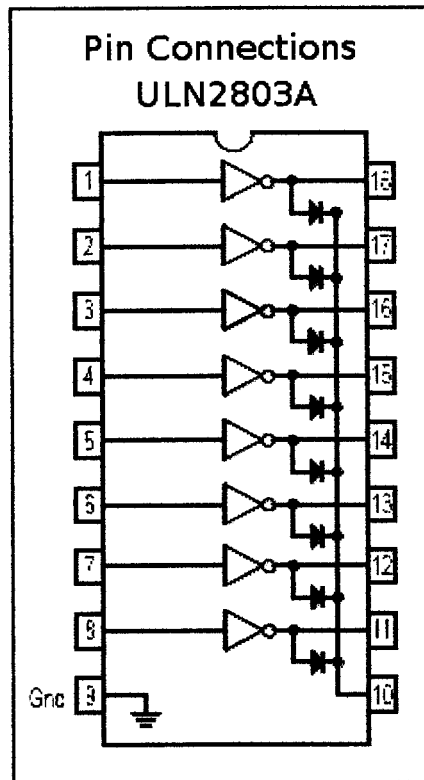


Figure 2.5: Pin connections

### Working

The ULN 2803 IC consists of eight NPN Darlington connected transistors (often called a Darlington pair). Darlington pair consists of two bipolar transistors such that the current amplified by the first is amplified further by the second to get a high current gain  $\beta$  or  $h_{FE}$ . The figure shown below is one of the eight Darlington pairs of ULN 2803 IC.

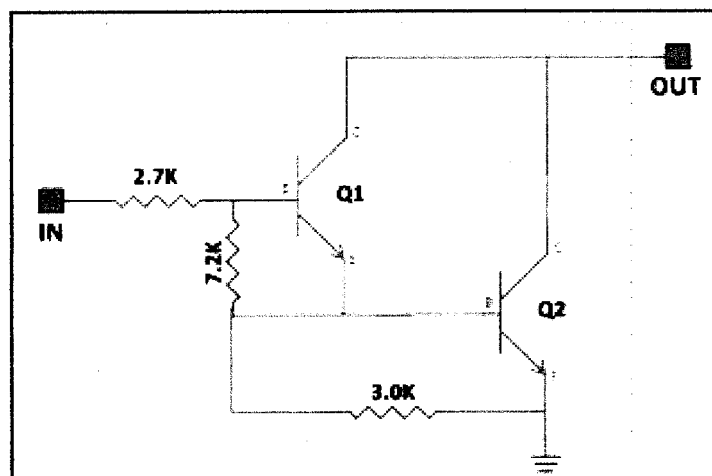


Figure 2.6: NPN Darlington

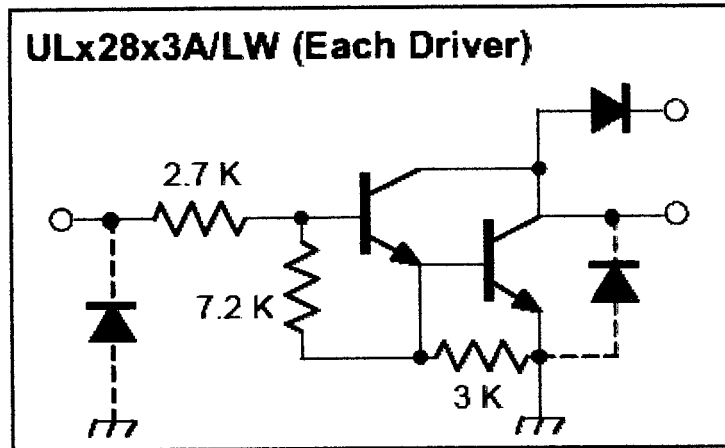


Figure 2.7: Darlington pair

Now two cases arise:

Case 1: When IN is 0 volts

Q1 and Q2 both will not conduct as there is no base current provided to them. Thus, nothing will appear at the output (OUT).

Case 2: When IN is 5 volts

Input current will increase and both transistors Q1 and Q2 will begin to conduct. Now, input current of Q2 is combination of input current and emitter current of Q1, so Q2 will conduct more than Q1 resulting in higher current gain which is very much required to meet the higher current requirements of devices like motors, relays etc. Output current flows through Q2 providing a path (sink) to ground for the external circuit that the output is applied to. Thus, when a 5V input is applied to any of the input pins (1 to 8), output voltage at corresponding output pin (11 to 18) drops down to zero providing GND for the external circuit. Thus, the external circuit gets grounded at one end while it is provided  $+V_{cc}$  at its other end. So, the circuit gets completed and starts operating.